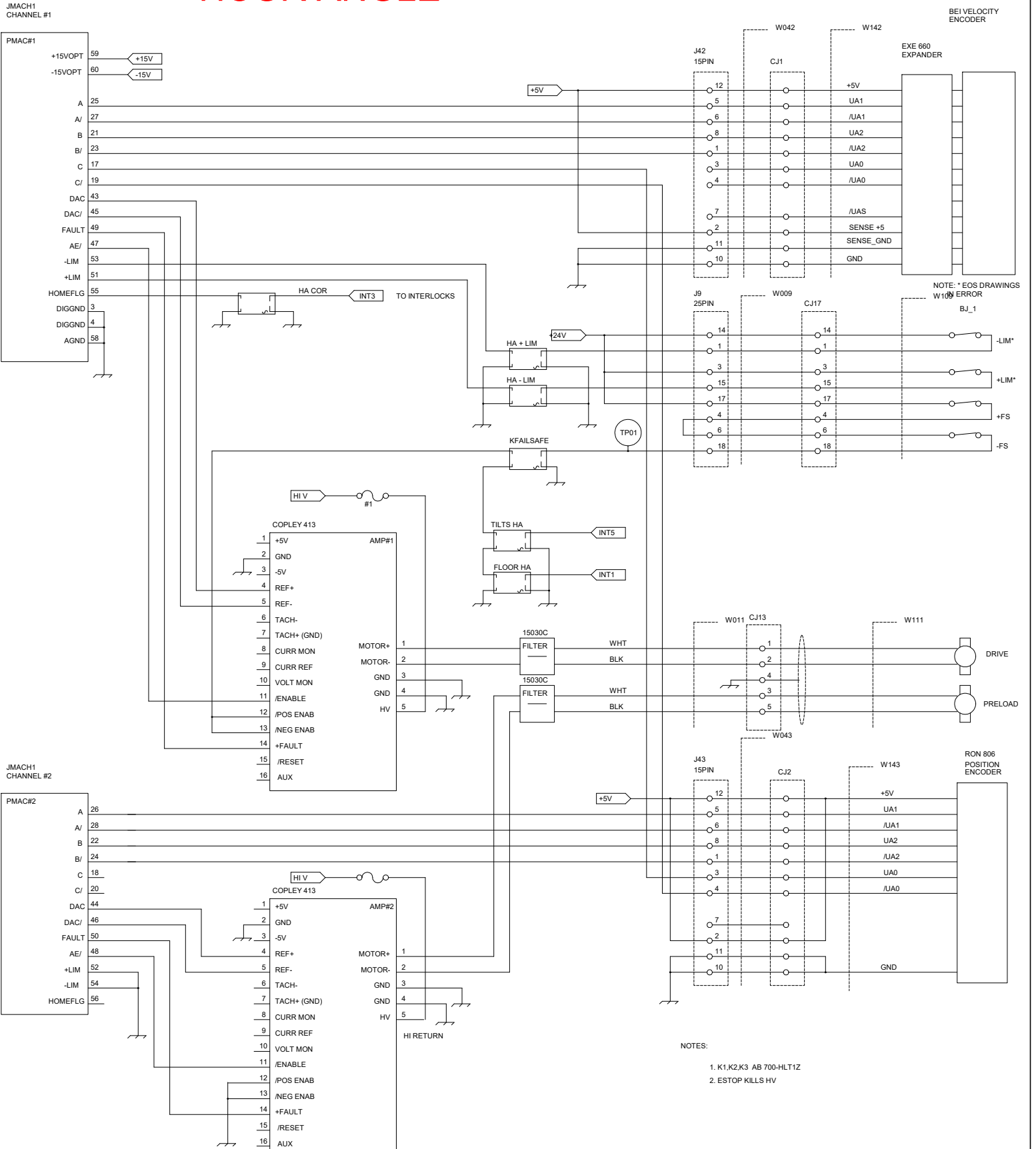


HOUR ANGLE



NOTES:
 1. K1,K2,K3 AB 700-HLT1Z
 2. ESTOP KILLS HV

STARMAN SYSTEMS, LLC			
ALAMO CA.			
RCT TELESCOPE WIRING DIAGRAM HOUR ANGLE			
DWG BY RRT	DATE 01/24/2023	SHOWN ON	SCALE : Not To Scale
			DWG No RCT001/1 REV