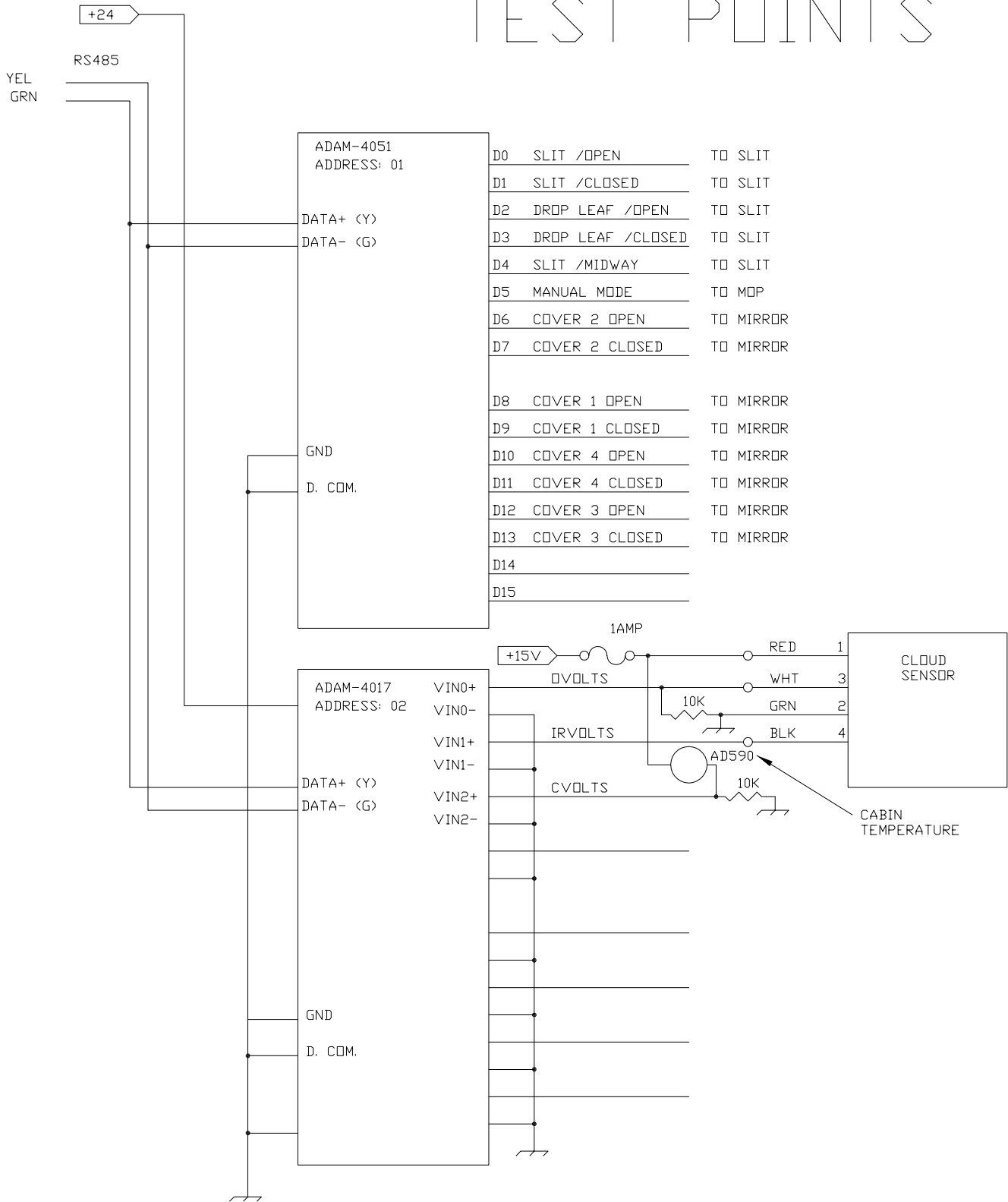


TEST POINTS



STARMAN SYSTEMS, LLC <small>ALAMO CA.</small>			
RCT TELESCOPE			
WIRING DIAGRAM			
TEST POINTS			
<small>DWG BY</small> RRT	<small>DATE</small> 12/07/2006	<small>SHOWN DN</small>	<small>SCALE</small> : Not To Scale
		<small>DWG No</small> RCT001/13	<small>REV</small>