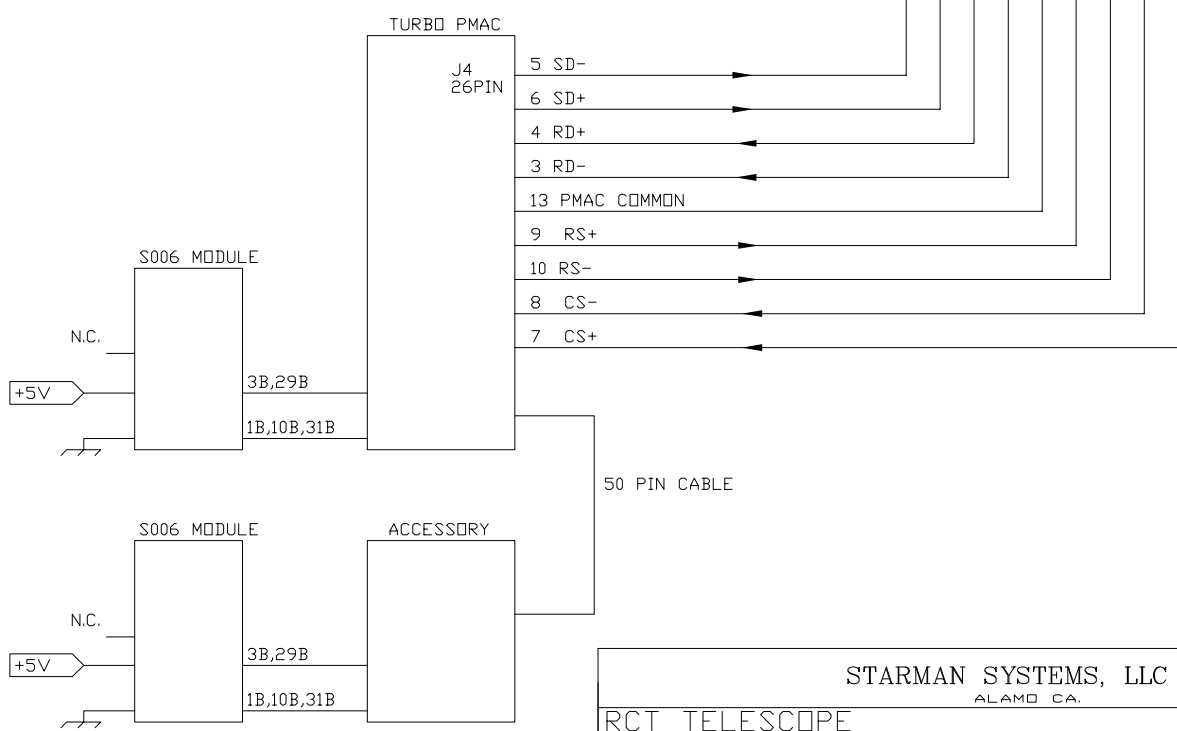
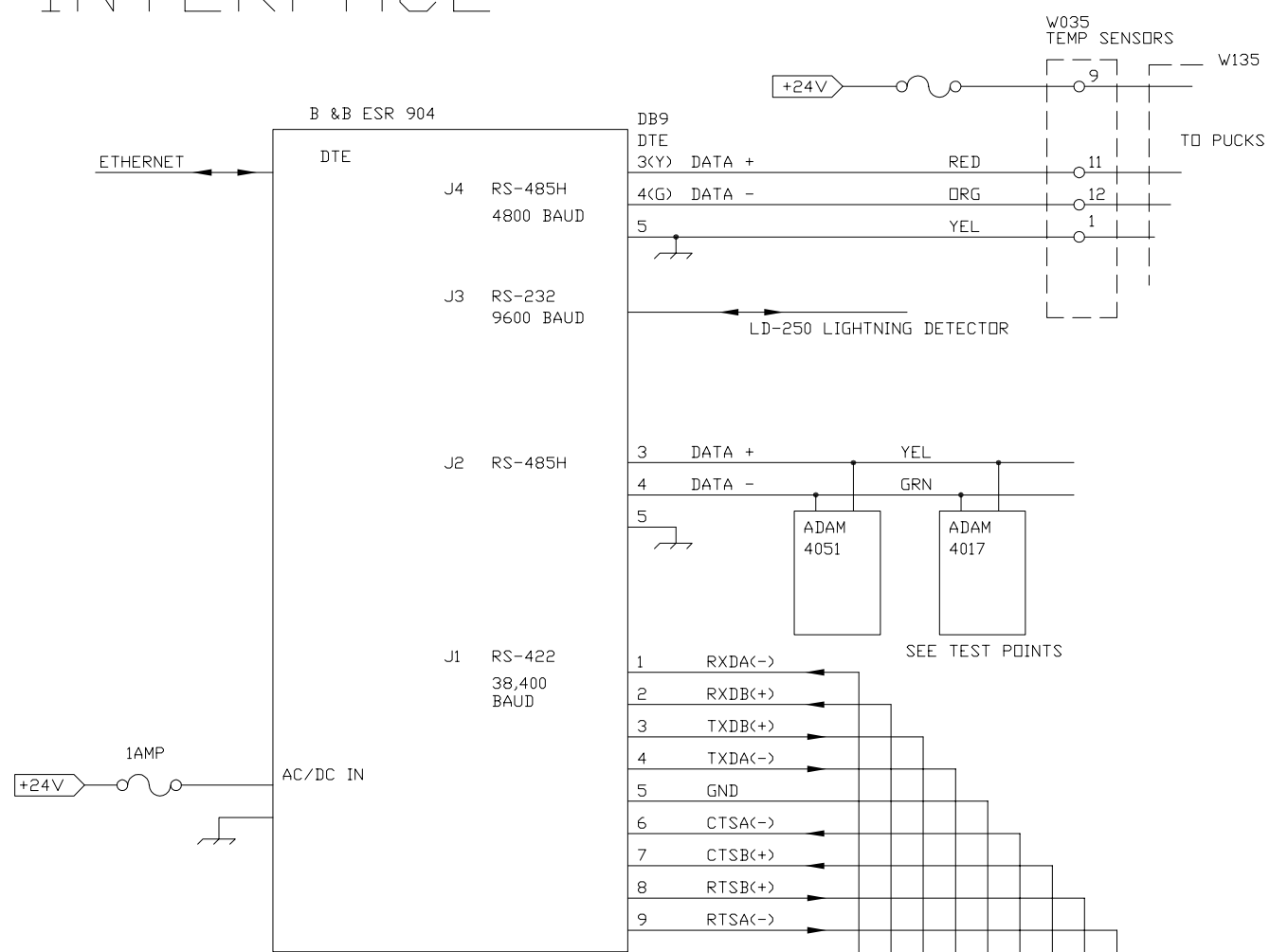


INTERFACE



STARMAN SYSTEMS, LLC
ALAMO, CA.

RCT TELESCOPE
WIRING DIAGRAM
INTERFACE

DWG BY RRT	DATE 03/28/2007	SHOWN DN	SCALE : Not To Scale
		DWG No	REV
		RCT001/14	