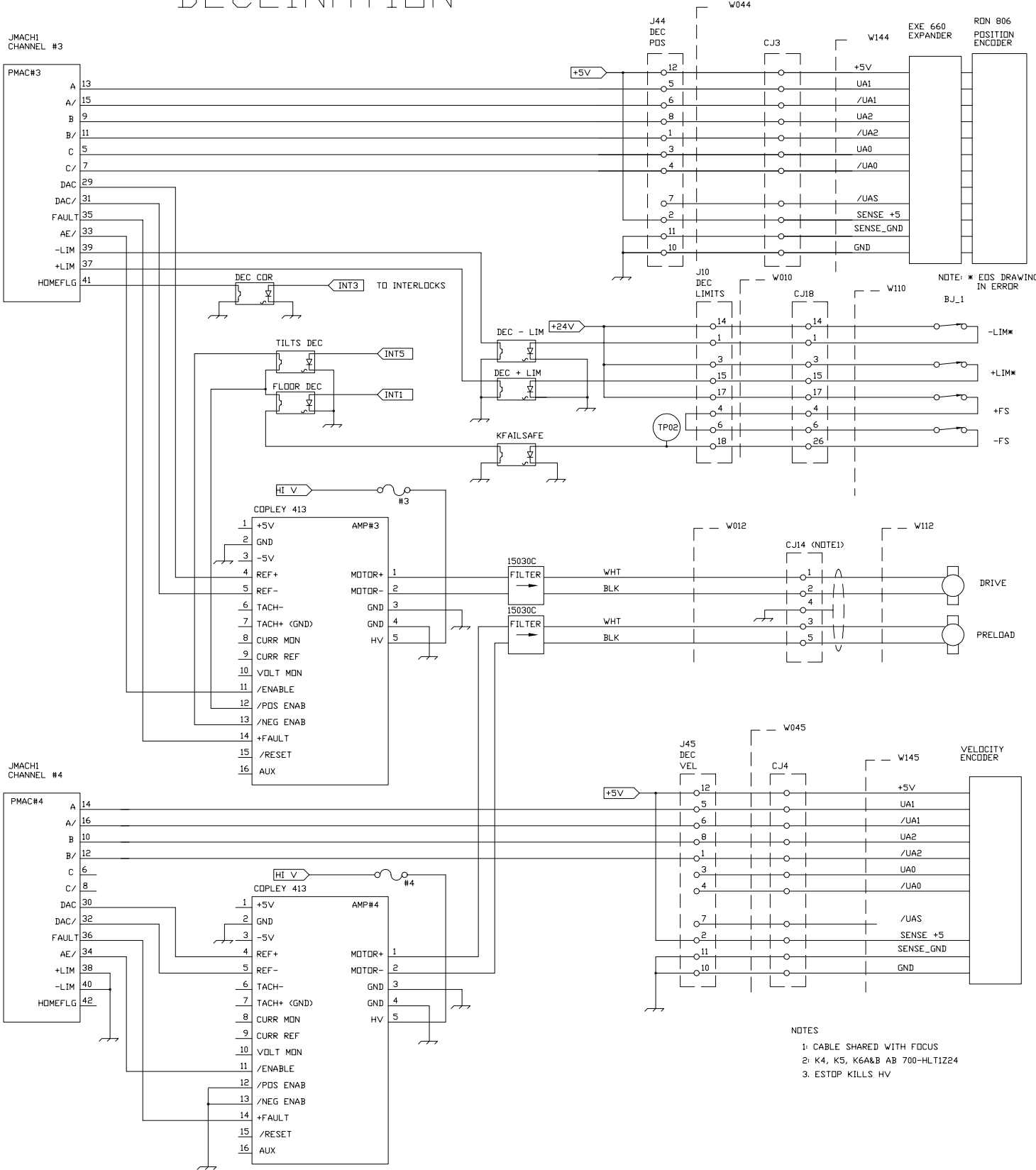


DECLINATION



NOTE: * EDS DRAWING IN ERROR
BJ_1

- NOTES
- 1: CABLE SHARED WITH FOCUS
 - 2: K4, K5, K6A&B AB 700-HLT1224
 - 3: ESTOP KILLS HV

STARMAN SYSTEMS, LLC ALAMO CA.			
RCT TELESCOPE			
WIRING DIAGRAM			
DECLINATION			
DWG BY	DATE	SHOWN ON	SCALE : Not To Scale
RRT	5/03/2008		
DWG No	RCT001/2	REV	