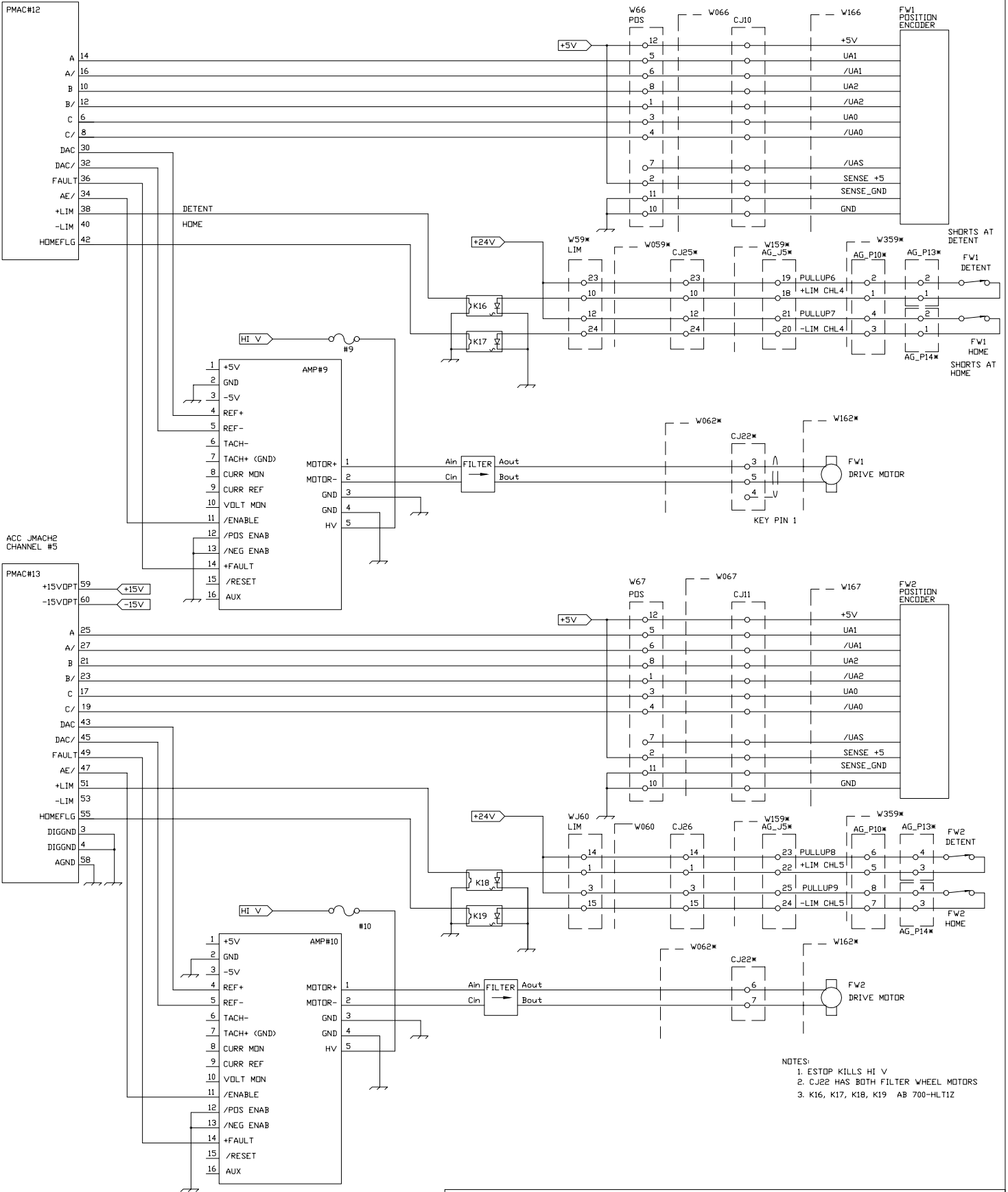


# FILTER WHEEL



- NOTES:  
 1. ESTOP KILLS HI V  
 2. CJ22 HAS BOTH FILTER WHEEL MOTORS  
 3. K16, K17, K18, K19 AB 700-HLT1Z

<b>STARMAN SYSTEMS, LLC</b> ALAMO, CA.			
RCT TELESCOPE WIRING DIAGRAM FILTER WHEELS			
DWG BY	DATE	SHOWN ON	SCALE : Not To Scale
RRT	4/25/2006		DWG No RCT001/6
			REV