

The Series CRDV/A is a miniature, direct acting valve/timer package designed for condensation removal in small volumes. The compact, in-line style of the CRDV/A provides easy, space saving mounting to air line drop legs and filter bowls. With a variety of orifice sizes and a pressure range of 0 to 600 psi, the CRDV/A is the perfect choice for ultra-low or ultra-high pressure applications.

Features

- All solid state timers
- Two valve sizes: 1/8" and 1/4" NPT
- Time ranges: .25 - 25 seconds on
1 - 45 minutes off
- NEMA 4 environment resistant package
- Modular - All valves and timers are interchangeable to improve serviceability
- Indicator lights show valve and power status
- 1 Year warranty
- Easy installation: Plug into wall socket and connect to air line
- Electrical override



Technical Data

Function: 2 way, 2 position
Normally closed or normally open
Direct Acting

Port Sizes: 1/8" or 1/4" NPT

Flow Factors: 0.8mm - .035 Cv
1.6mm - .112 Cv
2.4mm - .224 Cv
3.0mm - .266 Cv

Temp. Range: (Fluid 90°C max.) Ambient - 10 to 50°C

Response Time: 16 to 36ms complete cycle

Materials: Operator: AISI 300 & 400 Series Stainless
Shading Ring: Copper
Orifice: Brass
Seals: Viton
Valve Body: Brass

Manual Override: Not present

Media: Air, Oil, Gas, Water, Emulsion

Mounting: In-line

Electrical Data

Coil Data: Glass filled nylon encapsulation
(Class F, continuous duty)
8 watt VAC
Voltages: 12, 24, 120, 220, 240 VAC / 50/60 Hz
Voltage tolerance: +/- 10%

Ambient Temperature Range: -20 to 50° C

ISO DIN Interface: DIN 43650 / ISO 4400

Electrical Connection: 120 V CRDV's get 6 ft. cord set with ground wall plug. All other voltage options receive 6 ft. cord with wire leads (no plug)

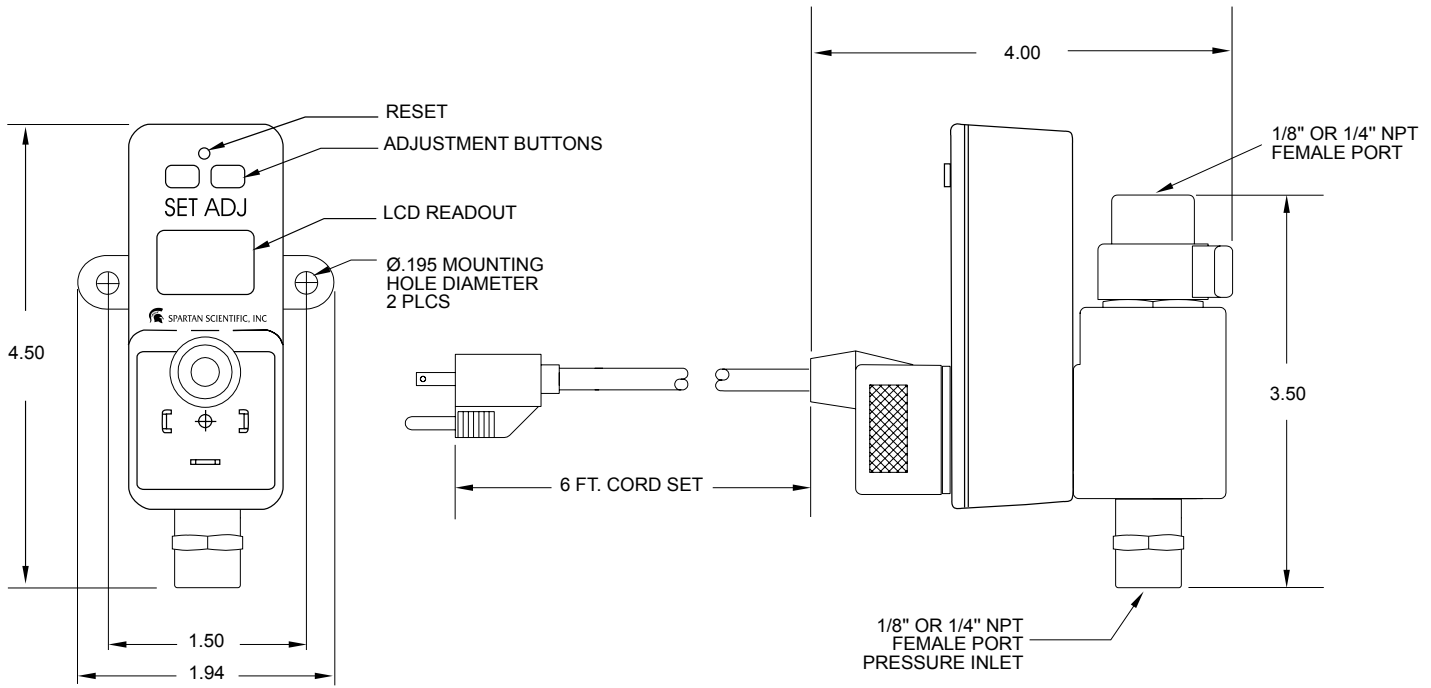
ORIFICE SIZE / VOLTAGE

FUNCTION		0.8 mm	1.6 mm	2.4 mm	3.0 mm
		AC	AC	AC	AC
	2/2 NC	600	450	255	150
2/2 NO	480	405	195	135	

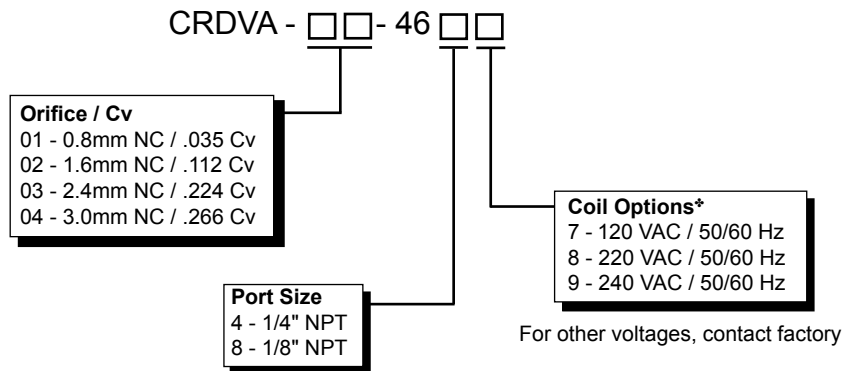
MAX. PRESSURE RANGE
(psi)



Dimensional Data



How To Order



Order Example: CRDVA - 01- 4647
Series CRDVA, 0.8mm normally closed orifice, .035 Cv,
1/4" NPT port size, 120 VAC 50/60 Hz, with ball strainer